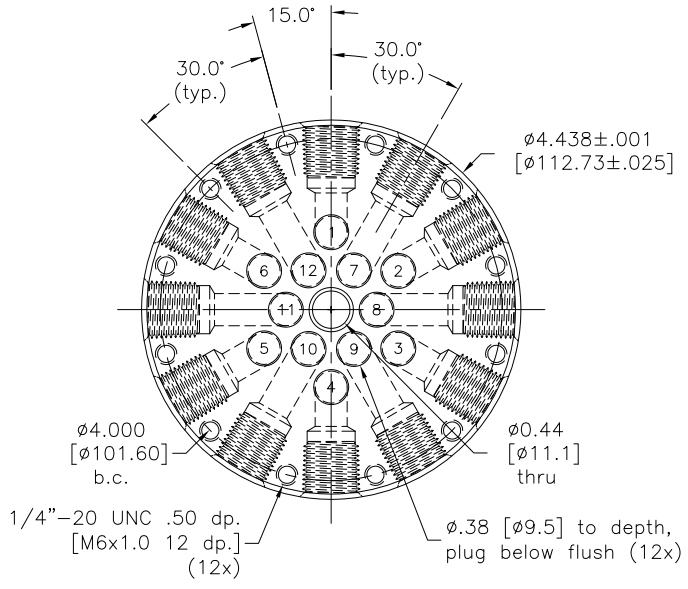
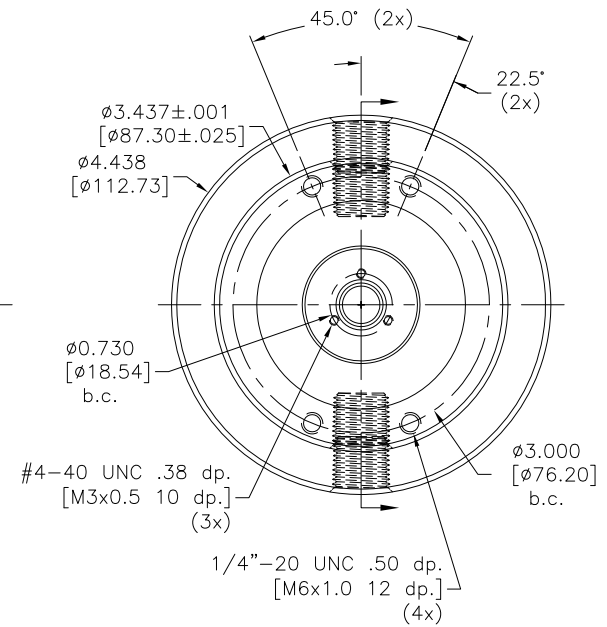
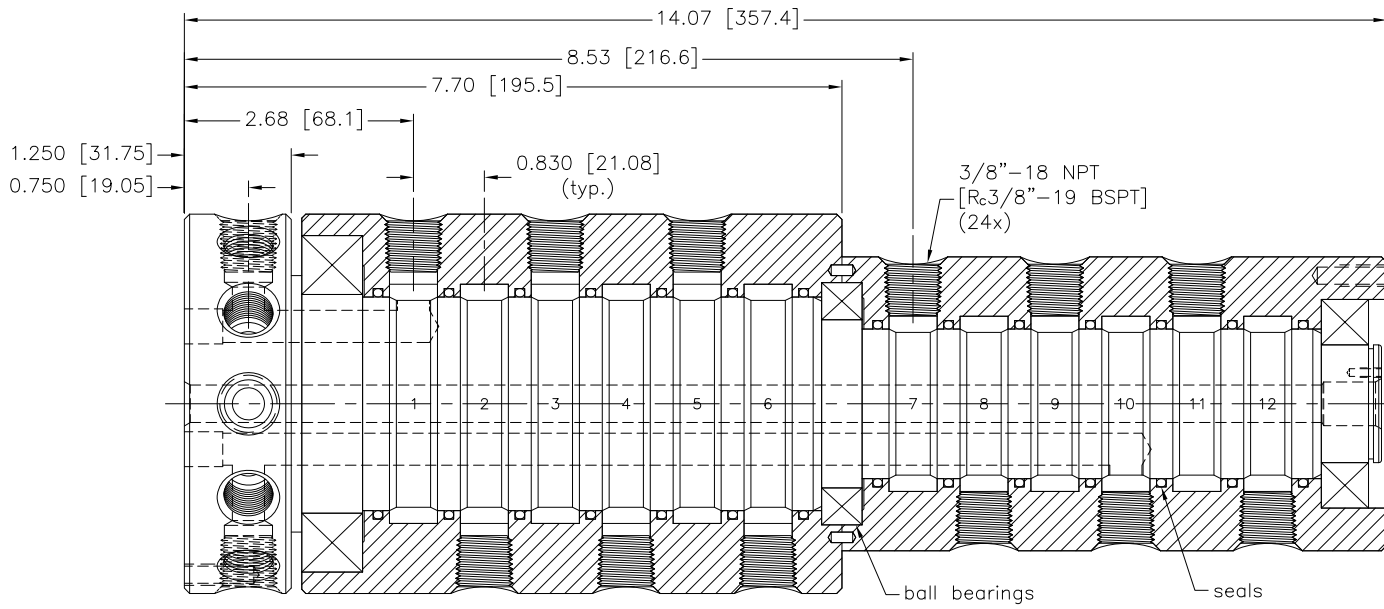


Rev:	Date	By	Chk	Description
A.1	8/29/11	PJE	TCB	Updated title block. Added metric part options.



Notes:

1. Union will be static air tested.
2. Media must be filtered, clean and free of abrasive content or reduced union life will result.
3. Alternate metric units and threads apply to the LTM configurations. See page 2 for details.

Drawn	KCP	1/14/11
Checked	TCB	1/17/11
Checked	RAW	1/20/11

TOLERANCE EXCEPT AS NOTED	
X.X	$\pm .125$
X.XX	$\pm .015$
X.XXX	$\pm .005$
ANGLES	$\pm 0.5^\circ$

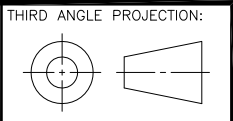


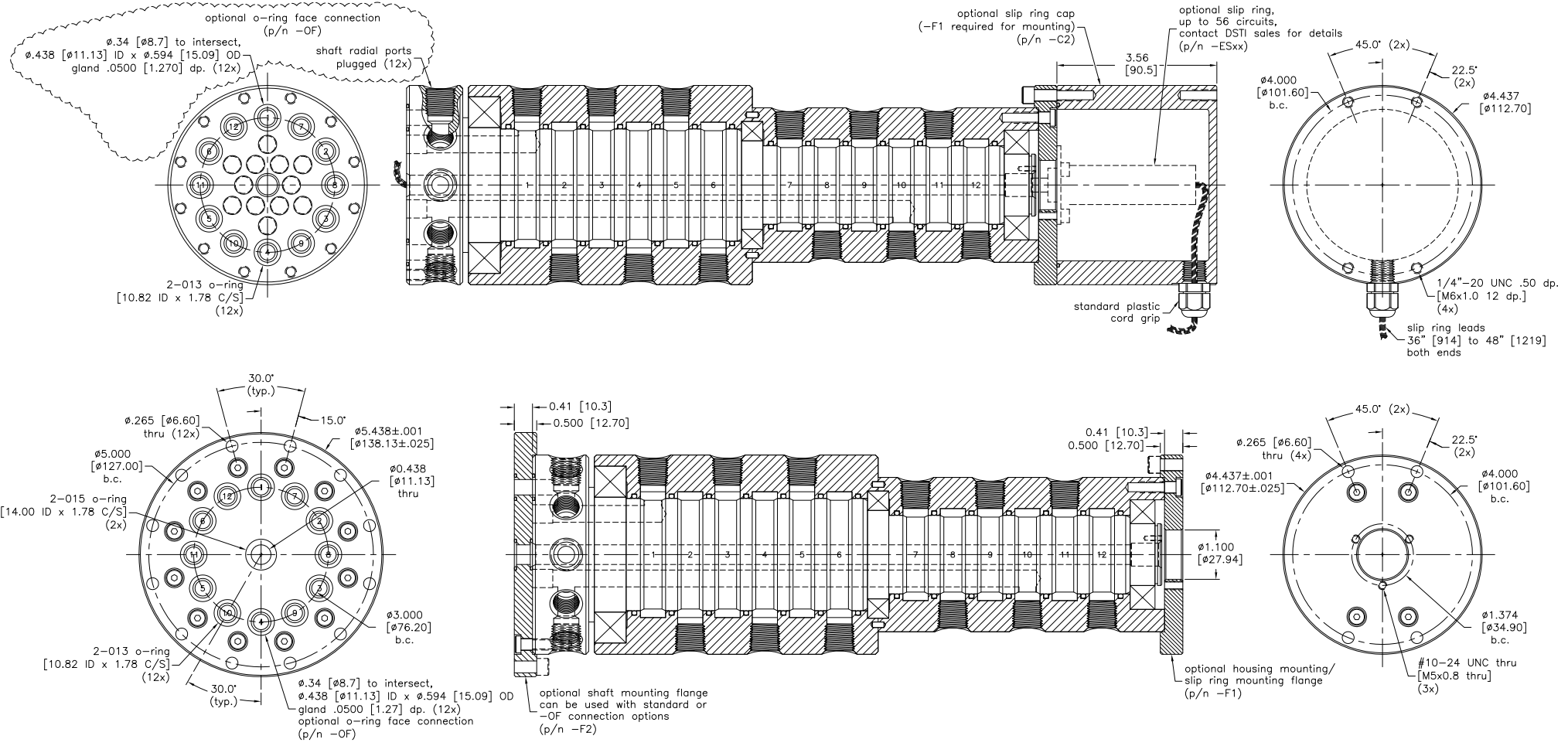
CUSTOMER APPROVAL/DATE:

THIS DOCUMENT CONTAINS INFORMATION WHICH IS PROPRIETARY TO DYNAMIC SEALING TECHNOLOGIES, INC. (DSTI) NO REPRODUCTION OR PUBLICATION OF THIS DOCUMENT OR IT'S CONTENTS, IN WHOLE OR PART, SHALL BE MADE WITHOUT THE WRITTEN CONSENT FROM DSTI.

SHAFT MTL/PLTING:	6061 ALUM E-NICKEL
HOUSING MTL/PLTING:	6061 ALUM BLUE ANNO DIZE

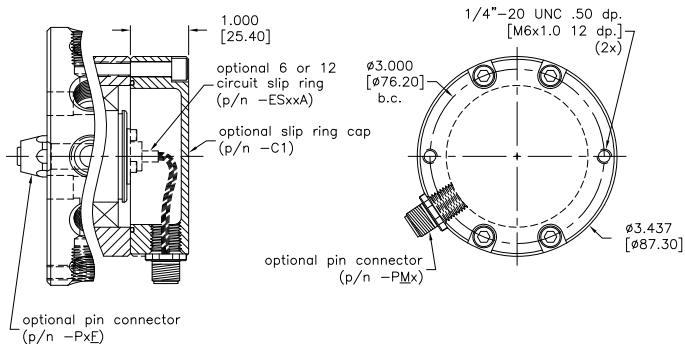
CUSTOMER:	STOCK
P/N:	LT(M)-23121
REV:	A.1





Notes:

1. Metric connections and threads available by using LTM in place of LT in the series designation prefix.



Drawn	KCP	1/17/11
Checked	TCB	1/17/11
Checked	RAW	1/20/11

TOLERANCE EXCEPT AS NOTED	
X.X	$\pm .125$
X.XX	$\pm .015$
X.XXX	$\pm .005$
ANGLES	$\pm 0.5^\circ$

DSTI
 DYNAMIC SEALING TECHNOLOGIES, INC
 13829 JAY ST NW ~ ANDOVER, MN 55304
 866-700-DSTI (3784)

CUSTOMER APPROVAL/DATE:

FLANGES MTL/PLTING:
 6061 ALUM
 BLUE ANNOIDIZE

CUSTOMER:
 STOCK

THIS DOCUMENT CONTAINS INFORMATION WHICH IS PROPRIETARY TO DYNAMIC SEALING TECHNOLOGIES, INC. (DSTI) NO REPRODUCTION OR PUBLICATION OF THIS DOCUMENT OR IT'S CONTENTS, IN WHOLE OR PART, SHALL BE MADE WITHOUT THE WRITTEN CONSENT FROM DSTI.

CAPS MTL/PLTING:
 6061 ALUM
 BLUE ANNOIDIZE

P/N:
 LT(M)-23121-SEE NOTES
 REV:
 A.1