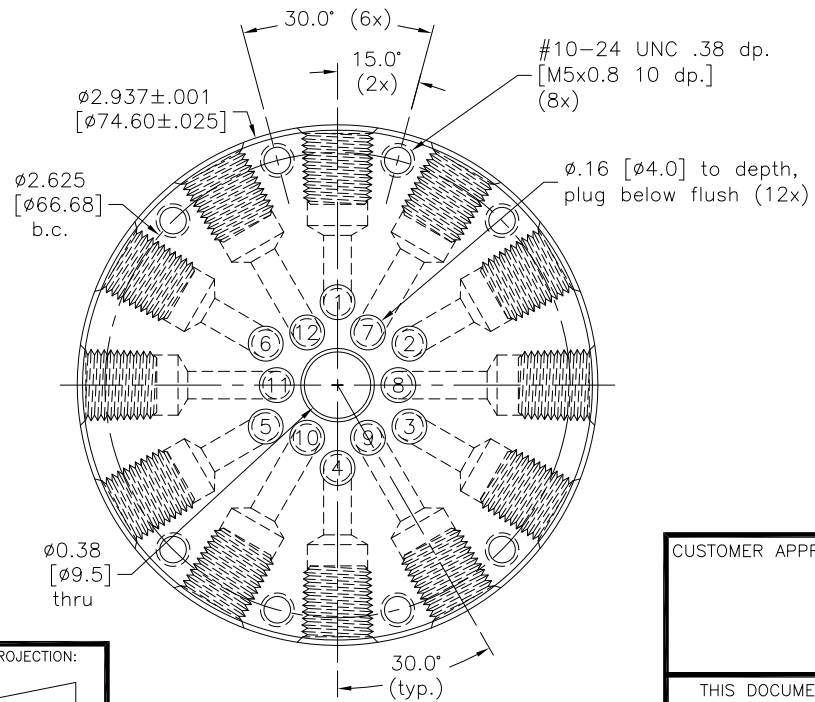
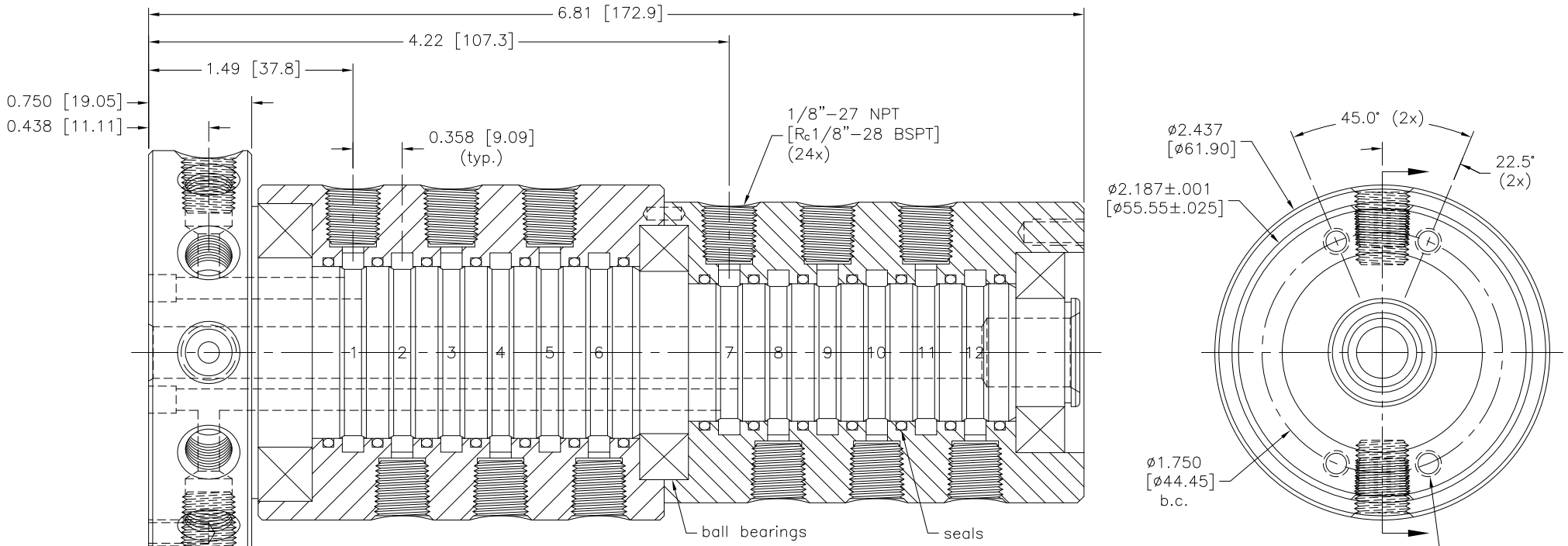
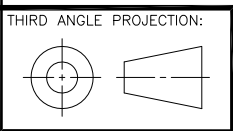


Rev:	Date	By	Chk	Description
A.1	4/19/11	PJE	TCB	Updated title block. Added metric part options.

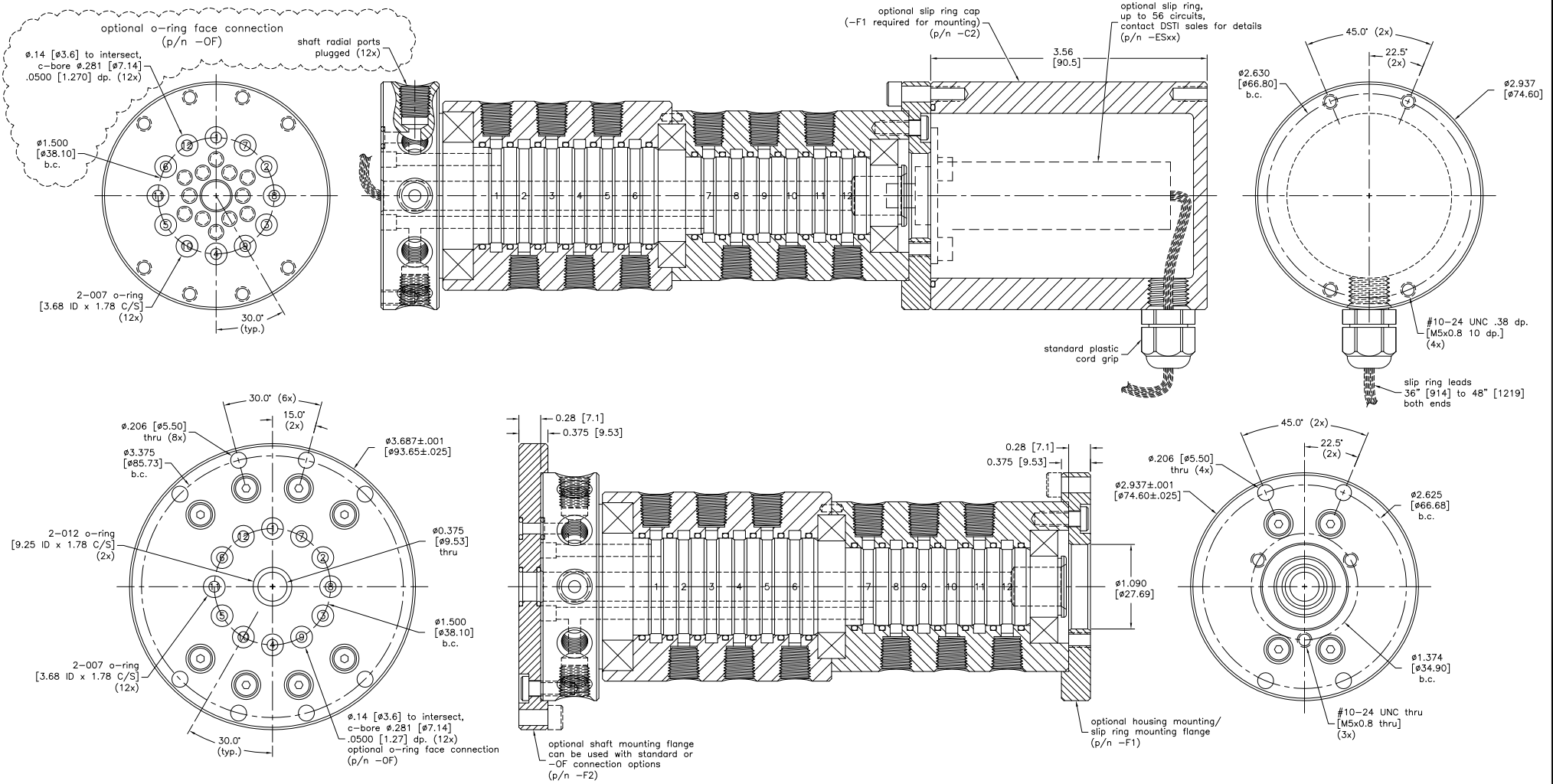


Notes:

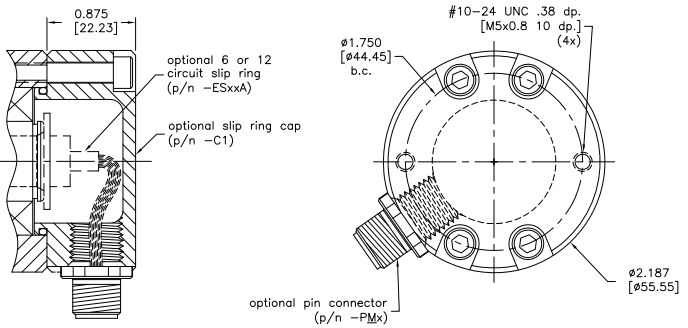
1. Union will be static air tested.
2. Media must be filtered, clean and free of abrasive content or reduced union life will result.
3. Alternate metric units and threads apply to the LTM configurations. See page 2 for details.



Drawn JSM 6/1/03 Checked PJE 11/28/05 Checked PJE 11/18/08		TOLERANCE EXCEPT AS NOTED X.X ±.125 X.XX ±.015 X.XXX ±.005 ANGLES ± 0.5°		
CUSTOMER APPROVAL/DATE:		SHAFT MTL/PLTING: 6061 ALUM E-NICKEL		CUSTOMER: STOCK
THIS DOCUMENT CONTAINS INFORMATION WHICH IS PROPRIETARY TO DYNAMIC SEALING TECHNOLOGIES, INC. (DSTI) NO REPRODUCTION OR PUBLICATION OF THIS DOCUMENT OR IT'S CONTENTS, IN WHOLE OR PART, SHALL BE MADE WITHOUT THE WRITTEN CONSENT FROM DSTI.		HOUSING MTL/PLTING: 6061 ALUM BLUE ANNOIDIZE	P/N: LT(M)-21121	REV: A.1



Notes:
 1. Metric connections and threads available by using LTM in place of LT in the series designation prefix.



CUSTOMER APPROVAL/DATE:		<table border="1"> <tr> <td>Drawn</td> <td>PJE</td> <td>11/28/05</td> </tr> <tr> <td>Checked</td> <td>PJE</td> <td>11/18/08</td> </tr> <tr> <td>Checked</td> <td>PJE</td> <td>4/19/11</td> </tr> </table>	Drawn	PJE	11/28/05	Checked	PJE	11/18/08	Checked	PJE	4/19/11	<p>TOLERANCE EXCEPT AS NOTED</p> <p>X.X ±.125</p> <p>X.XX ±.015</p> <p>X.XXX ±.005</p> <p>ANGLES ± 0.5°</p>		<p>CUSTOMER:</p> <p>STOCK</p>
Drawn	PJE	11/28/05												
Checked	PJE	11/18/08												
Checked	PJE	4/19/11												
<p>THIS DOCUMENT CONTAINS INFORMATION WHICH IS PROPRIETARY TO DYNAMIC SEALING TECHNOLOGIES, INC. (DSTI) NO REPRODUCTION OR PUBLICATION OF THIS DOCUMENT OR IT'S CONTENTS, IN WHOLE OR PART, SHALL BE MADE WITHOUT THE WRITTEN CONSENT FROM DSTI.</p>		<p>FLANGES MTL/PLTING:</p> <p>6061 ALUM BLUE ANNOIDIZE</p>	<p>REV:</p> <p>A.1</p>											
		<p>CAPS MTL/PLTING:</p> <p>6061 ALUM BLUE ANNOIDIZE</p>	<p>P/N:</p> <p>LT(M)-21121-SEE NOTES</p>											