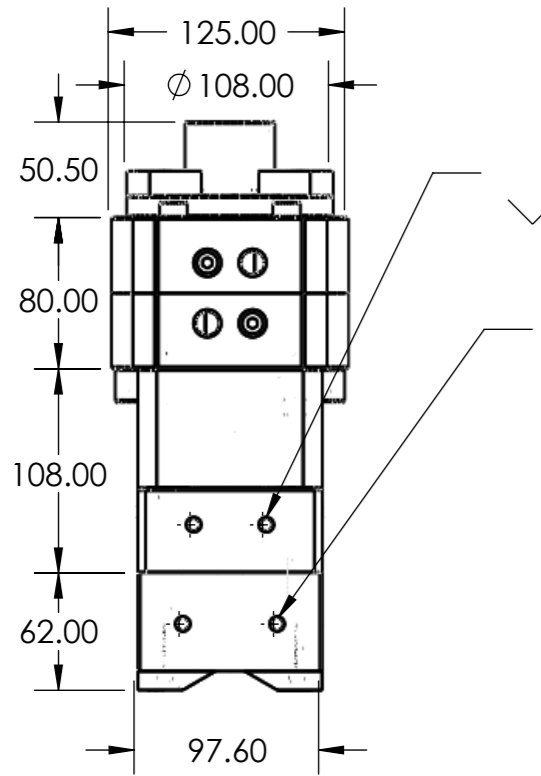
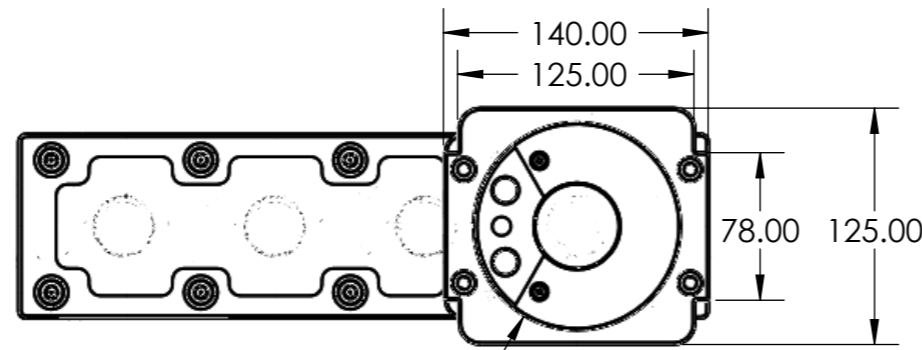


ACCESSORIES	
PART NUMBER	DESCRIPTION
8800066	LAY70x4 Blank Pole Shoe
8800079	LAY70x4 Standard Pole Shoe
280032	SMC CDRB1BW100-180S

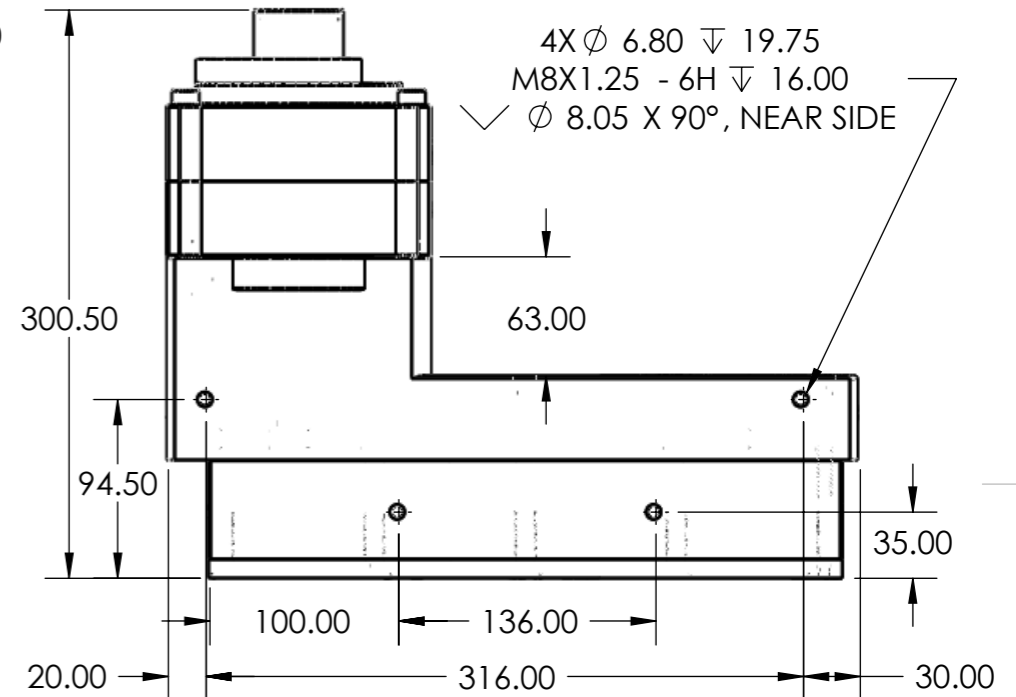
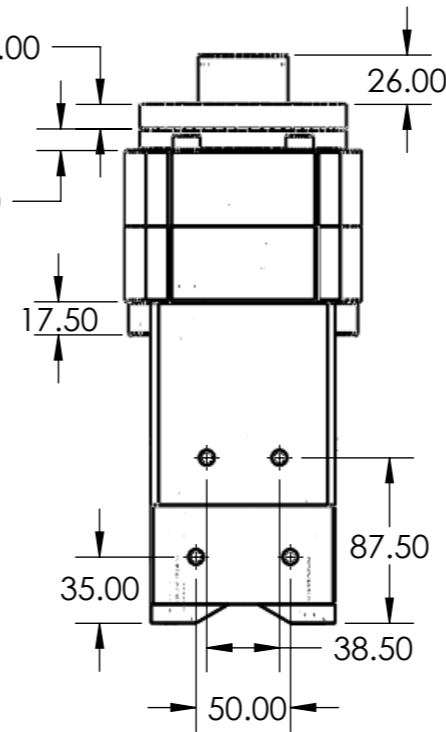
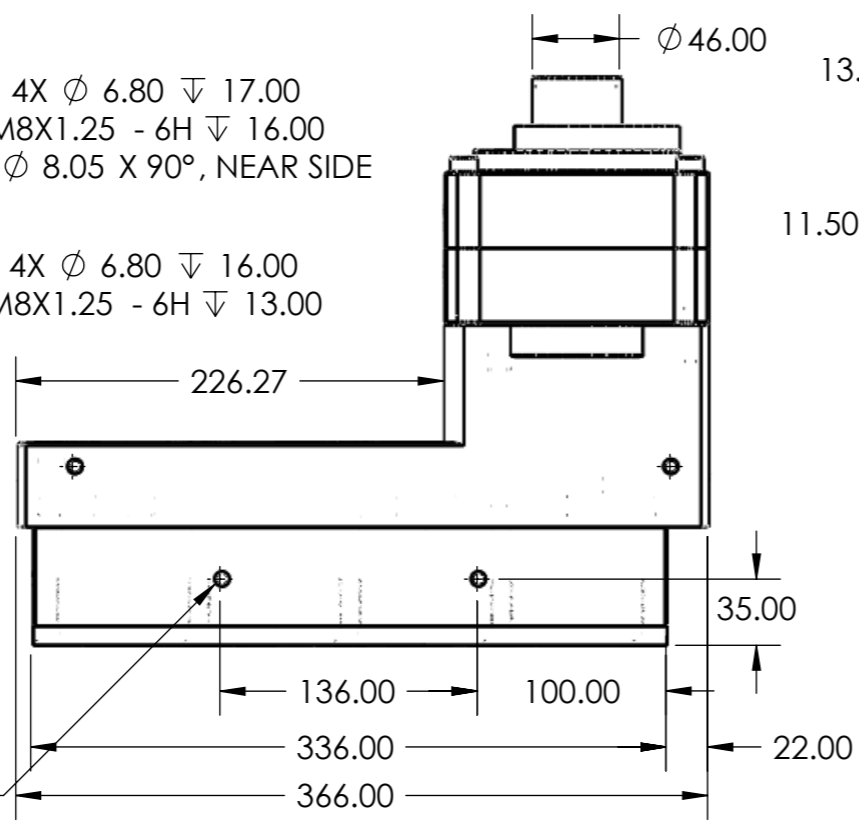
Max Breakaway	3900 lbs / 1773 kg
Safe Working Load	975 lbs / 443 kg
Optimum Material Thickness	1/2" / 12.7 mm



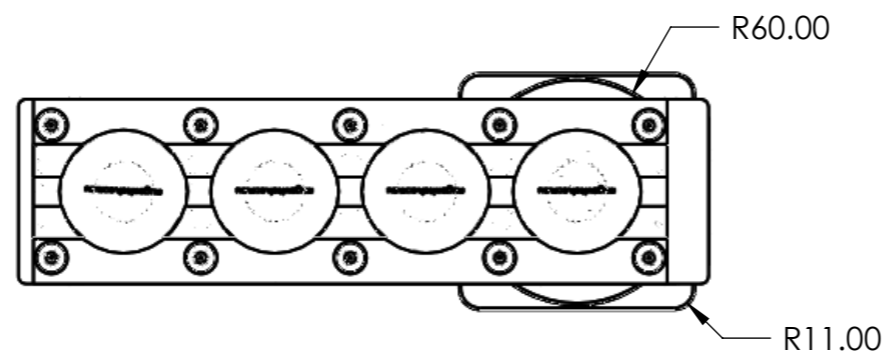
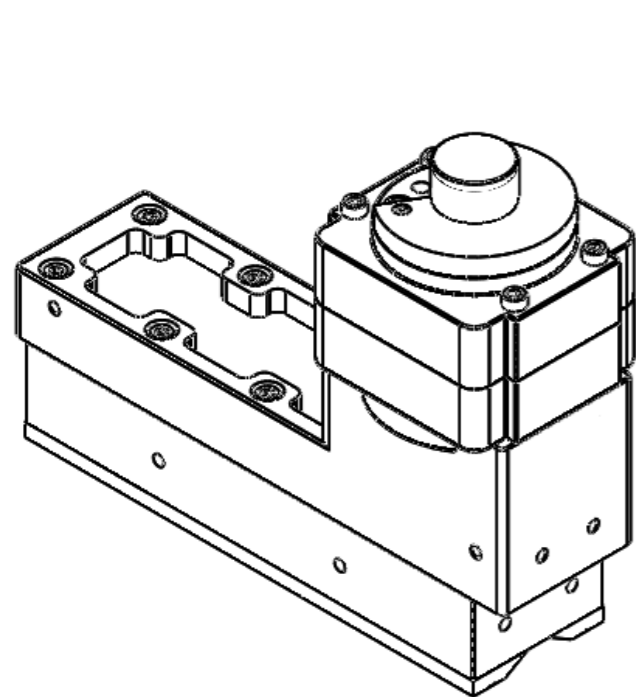
4X ϕ 6.80 ∇ 17.00
M8X1.25 - 6H ∇ 16.00
 ϕ 8.05 X 90°, NEAR SIDE

4X ϕ 6.80 ∇ 16.00
M8X1.25 - 6H ∇ 13.00

4X ϕ 6.80 ∇ 17.00
M8X1.25 - 6H ∇ 15.00



4X ϕ 6.80 ∇ 19.75
M8X1.25 - 6H ∇ 16.00
 ϕ 8.05 X 90°, NEAR SIDE



THIS DOCUMENT, AND THE INFORMATION IT CONTAINS, INCLUDING THE PRINCIPLES OF DESIGN, IS THE EXCLUSIVE PROPERTY OF MAGSWITCH TECHNOLOGY WORLDWIDE AND IS CONFIDENTIAL. ACCORDINGLY, THIS INFORMATION IS SUBMITTED TO YOU WITH THE AGREEMENT THAT IT IS NOT TO BE REPRODUCED, COPIED, OR LOANED IN PART OR IN WHOLE, NOR IS THE INFORMATION TO BE RELAYED TO ANY OTHER INDIVIDUAL OR COMPANY EXCEPT AS MTW FIRST AUTHORIZES IN WRITING. ACCEPTANCE OF THIS DOCUMENT CONSTITUTES AGREEMENT TO THESE RESTRICTIONS.

INTERPRET DRAWING PER: ANSI Y14.5M-1994	DRAWN	DATE 5/29/2012
DIMENSIONS ARE IN MILLIMETERS	DESIGN	DATE
THIRD ANGLE PROJECTION	STD. CHECK	DATE
DO NOT SCALE	F/F CHECK	DATE
	APPROVED	DATE

magswitch 8774 YATES DRIVE, SUITE 140
WESTMINSTER, COLORADO 80031
303-468-0662 / FAX 303-951-9918

TITLE: **PLAY70x4 MDC**

SIZE B	CAGE CODE	DWG. NO. 8140417	REV 5
SCALE 1:4		WEIGHT: 20491.67 g	SHEET 1 OF 1