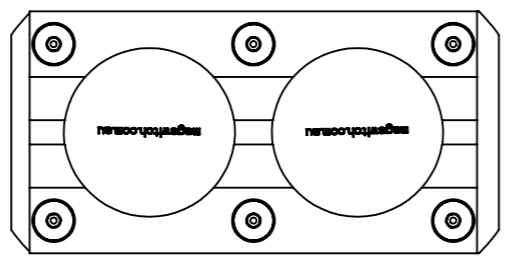
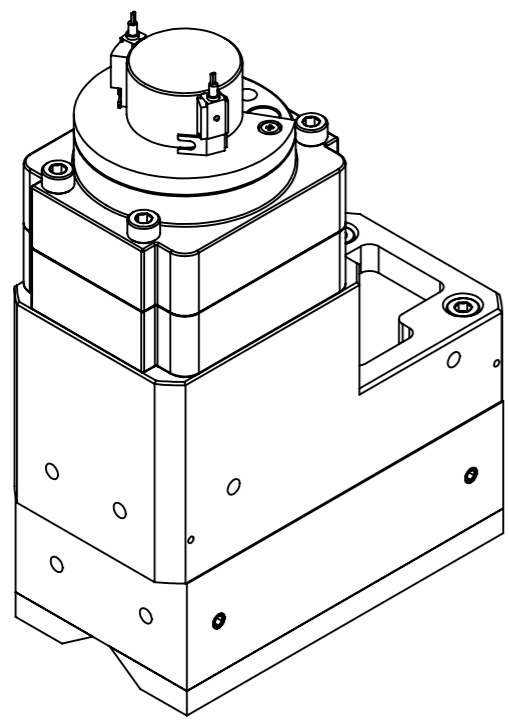
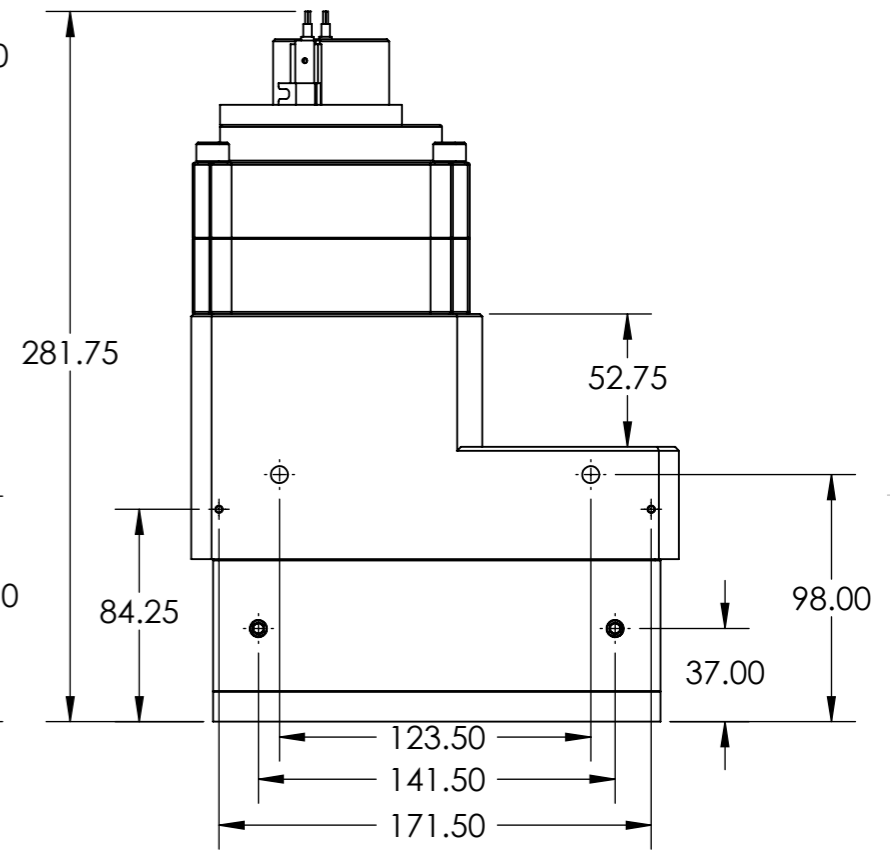
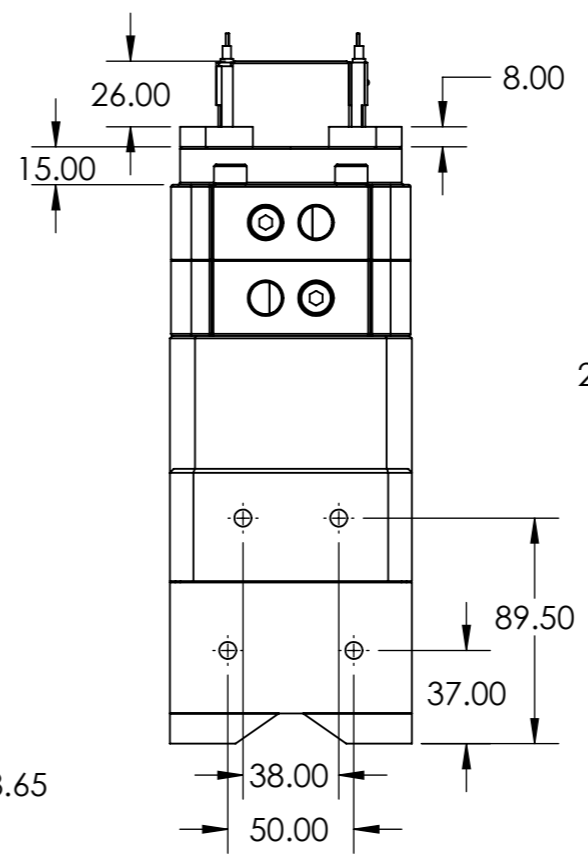
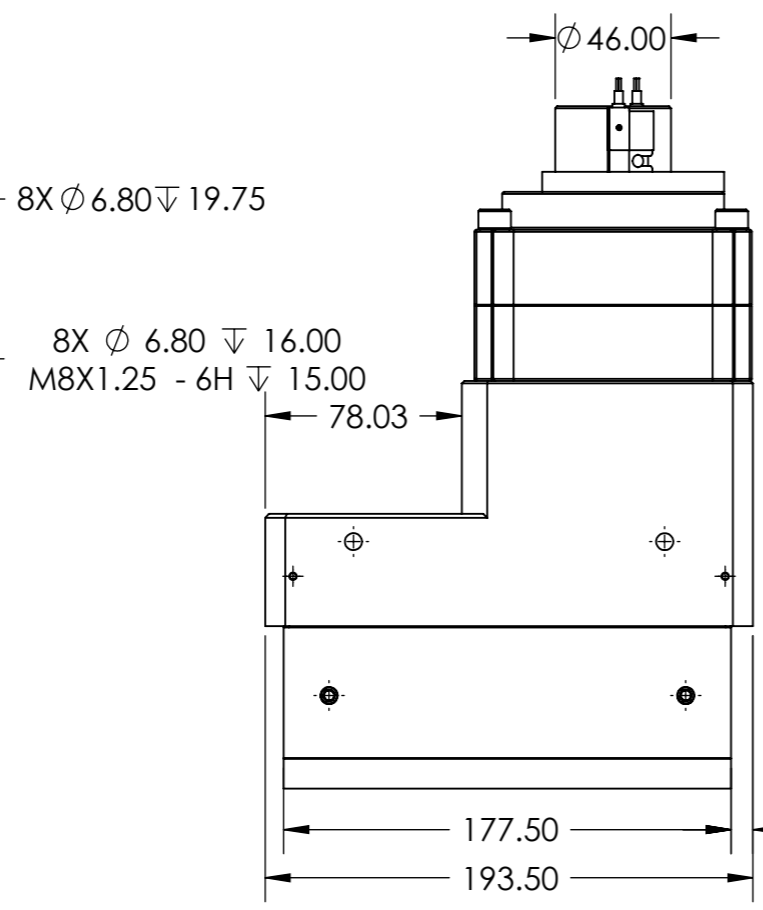
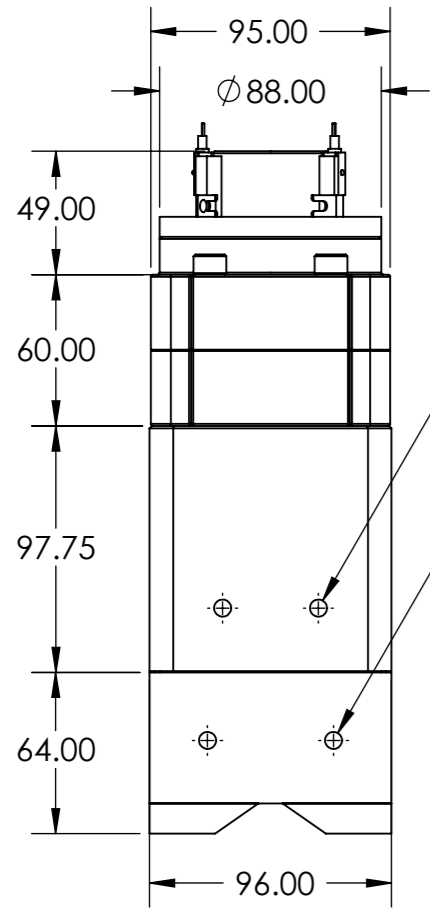
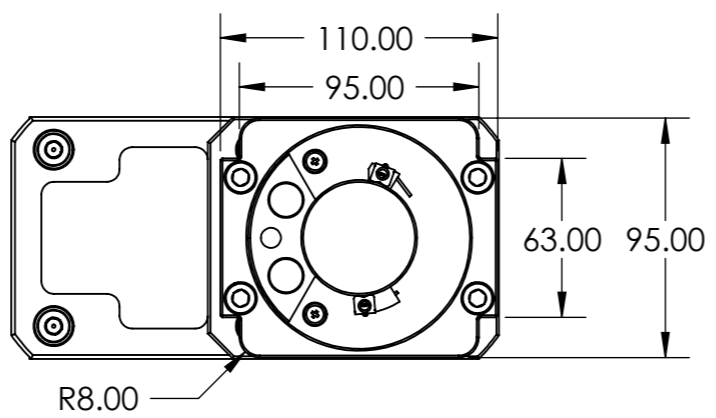


ACCESSORIES	
PART NUMBER	DESCRIPTION
8800064	LAY70x2 Blank Pole Shoe
8800077	LAY70x2 Standard Pole Shoe
280018	Pneumatic Actuator Style S for 70mm x 2 Magswitch

Max Breakaway	2124 lbs / 963 kg
Safe Working Load	530 lbs / 240 kg
Optimum Material Thickness	1/2" / 12.7 mm



THIS DOCUMENT, AND THE INFORMATION IT CONTAINS, INCLUDING THE PRINCIPLES OF DESIGN, IS THE EXCLUSIVE PROPERTY OF MAGSWITCH TECHNOLOGY WORLDWIDE AND IS CONFIDENTIAL. ACCORDINGLY, THIS INFORMATION IS SUBMITTED TO YOU WITH THE AGREEMENT THAT IT IS NOT TO BE REPRODUCED, COPIED, OR LOANED IN PART OR IN WHOLE, NOR IS THE INFORMATION TO BE RELAYED TO ANY OTHER INDIVIDUAL OR COMPANY EXCEPT AS MTW FIRST AUTHORIZES IN WRITING. ACCEPTANCE OF THIS DOCUMENT CONSTITUTES AGREEMENT TO THESE RESTRICTIONS.

INTERPRET DRAWING PER: ANSI Y14.5M-1994	DRAWN	DATE
DIMENSIONS ARE IN MILLIMETERS	DESIGN	DATE
THIRD ANGLE PROJECTION	STD. CHECK	DATE
DO NOT SCALE	F/F CHECK	DATE
	APPROVED	DATE

10/10/2012 8774 YATES DRIVE, SUITE 140 WESTMINSTER, COLORADO 80031 303-468-0662 / FAX 303-951-9918

TITLE: **PLAY70x2 MDC**

SIZE	CAGE CODE	DWG. NO.	REV
B		8140391	5

SCALE 1:3 WEIGHT: 16276.67 g SHEET 1 OF 1