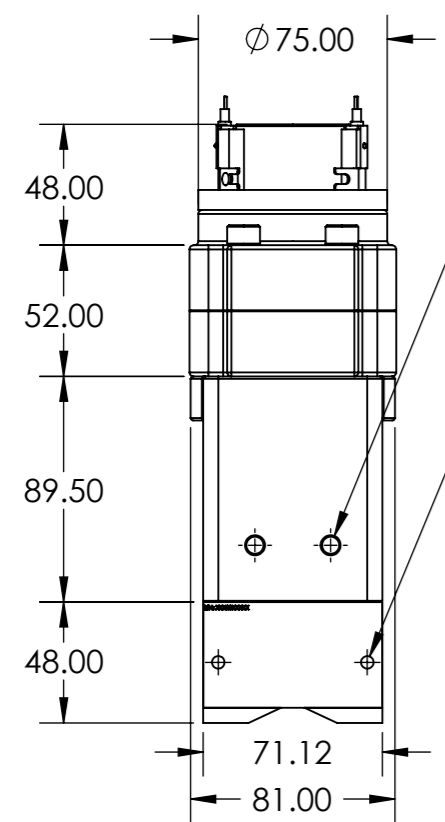
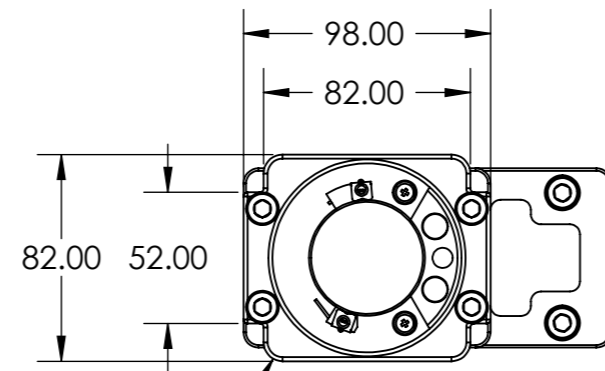
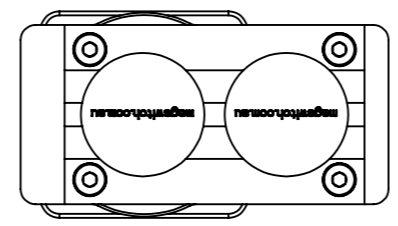
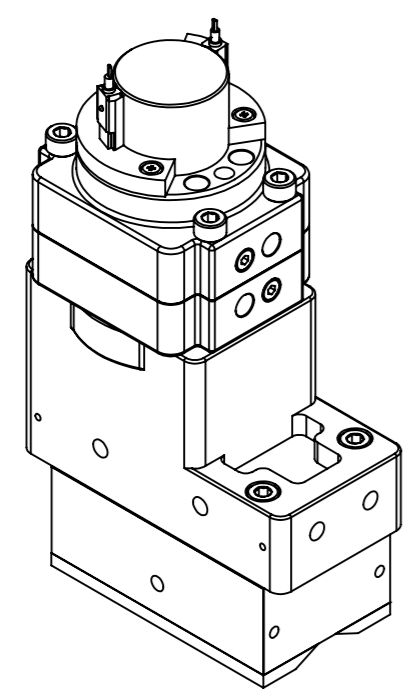
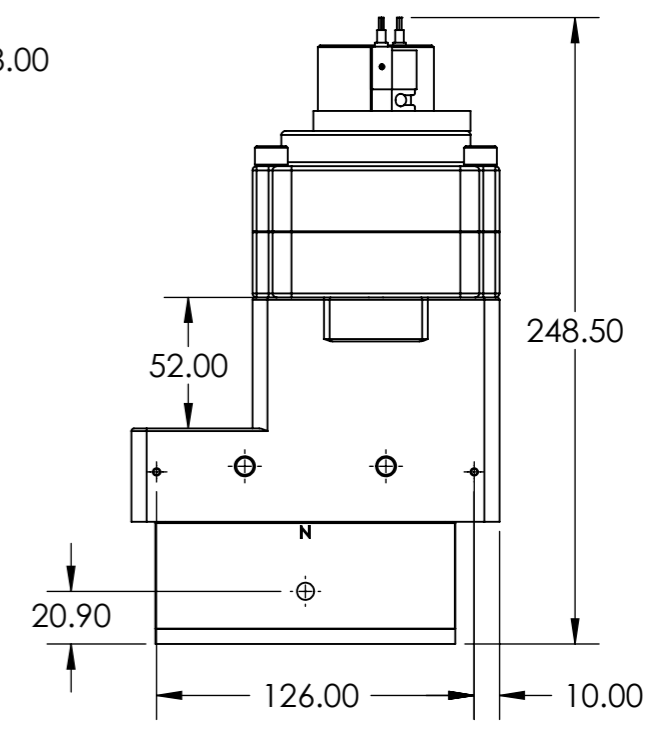
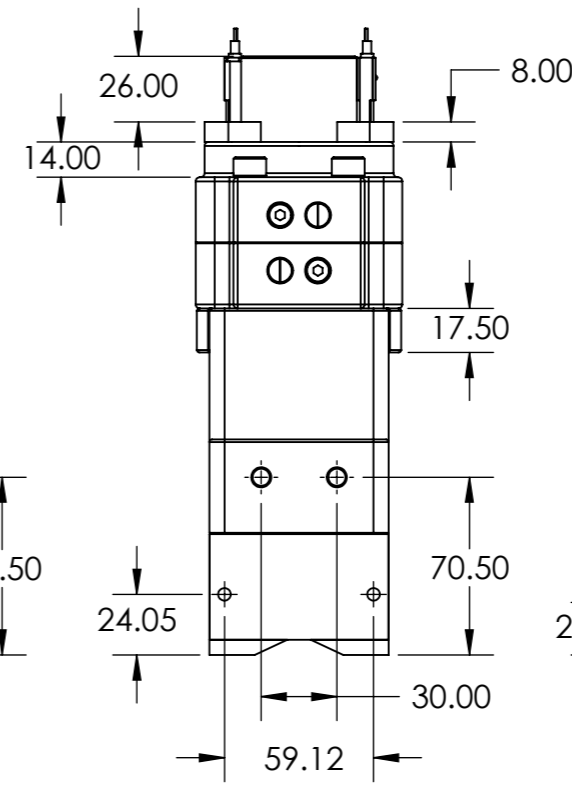
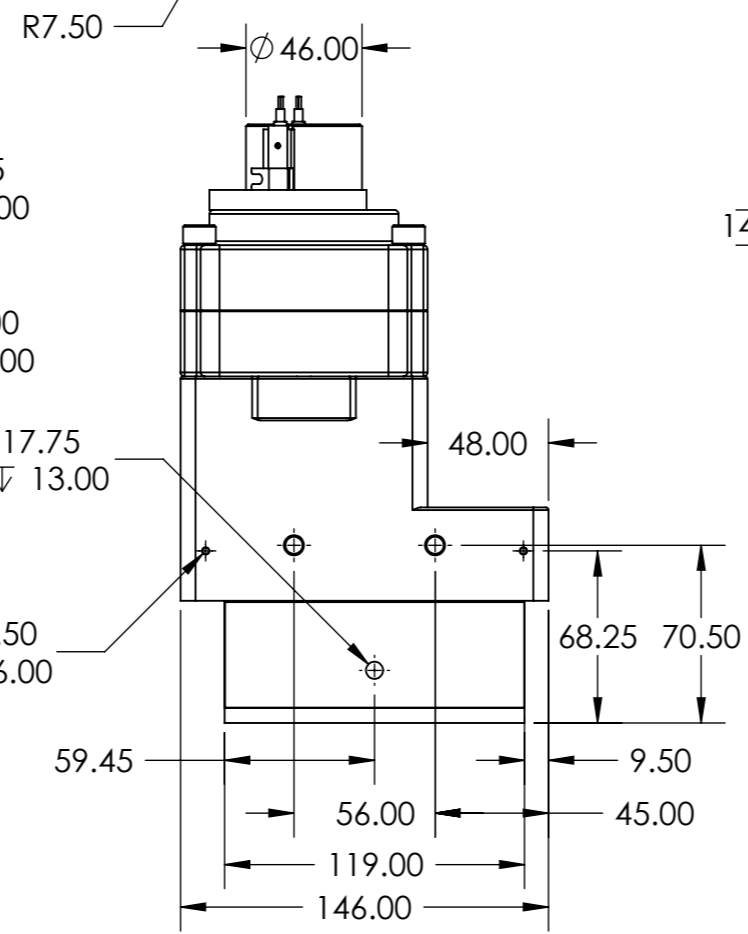


ACCESSORIES	
PART NUMBER	DESCRIPTION
8800061	LAY50x2 Blank Pole Shoe
8800074	LAY50x3 Standard Pole Shoe
280019	Pneumatic Actuator Style S for 50mmx2 Magswitch

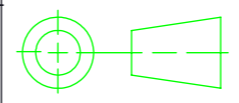
Max Breakaway	1100 lbs / 499 kg
Safe Working Load	275 lbs / 125 kg
Optimum Material Thickness	3/8" / 9.5 mm




- 8X $\phi 6.80 \nabla 19.75$
M8X1.25 - 6H $\nabla 16.00$
- 4X $\phi 5.00 \nabla 15.00$
M6X1.0 - 6H $\nabla 12.00$
- 2X $\phi 6.80 \nabla 17.75$
M8X1.25 - 6H $\nabla 13.00$
- 4X $\phi 2.50 \nabla 7.50$
M3X0.5 - 6H $\nabla 6.00$



THIS DOCUMENT, AND THE INFORMATION IT CONTAINS, INCLUDING THE PRINCIPLES OF DESIGN, IS THE EXCLUSIVE PROPERTY OF MAGSWITCH TECHNOLOGY WORLDWIDE AND IS CONFIDENTIAL. ACCORDINGLY, THIS INFORMATION IS SUBMITTED TO YOU WITH THE AGREEMENT THAT IT IS NOT TO BE REPRODUCED, COPIED, OR LOANED IN PART OR IN WHOLE, NOR IS THE INFORMATION TO BE RELAYED TO ANY OTHER INDIVIDUAL OR COMPANY EXCEPT AS MTW FIRST AUTHORIZES IN WRITING. ACCEPTANCE OF THIS DOCUMENT CONSTITUTES AGREEMENT TO THESE RESTRICTIONS.

INTERPRET DRAWING PER: ISO 2768-M	DRAWN	DATE 1/31/2013
DIMENSIONS ARE IN MILLIMETERS	DESIGN	DATE
 THIRD ANGLE PROJECTION	STD. CHECK	DATE
	F/F CHECK	DATE
	APPROVED	DATE
DO NOT SCALE		

 8774 YATES DRIVE, SUITE 140
WESTMINSTER, COLORADO 80031
303-468-0662 / FAX 303-951-9918

TITLE: **PLAY50x2 MDC**

SIZE B	CAGE CODE	DWG. NO. 8140405	REV 03
SCALE 1:3		WEIGHT: 4930.12 g	SHEET 1 OF 1