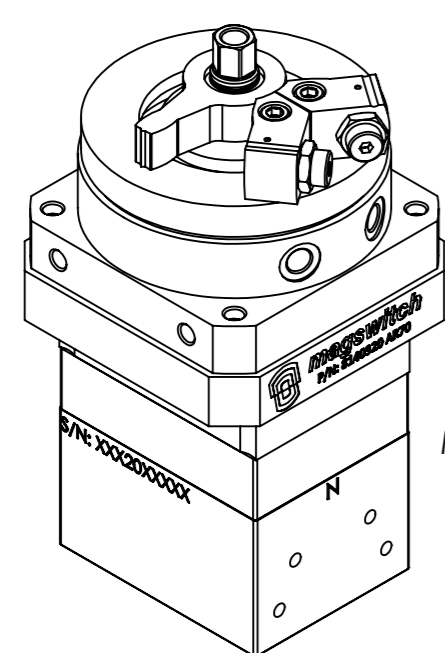
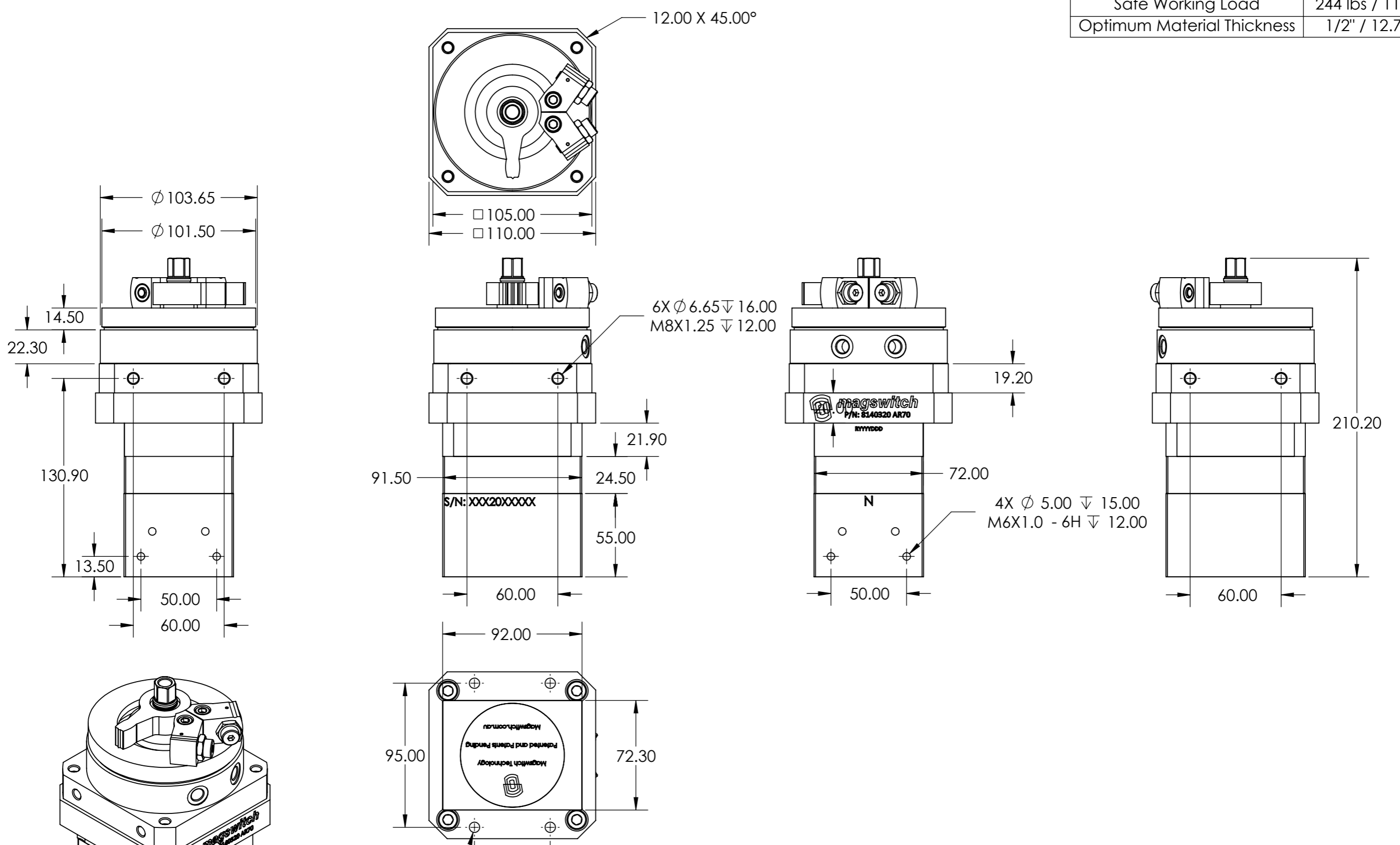


Max Breakaway	960 lbs / 435.4 kg
Safe Working Load	244 lbs / 110.7 kg
Optimum Material Thickness	1/2" / 12.7 mm



4X Ø 6.80 THRU ALL
M8X1.25 - 6H ▽ 20.00

THIS DOCUMENT, AND THE INFORMATION IT CONTAINS, INCLUDING THE PRINCIPLES OF DESIGN, IS THE EXCLUSIVE PROPERTY OF MAGSWITCH TECHNOLOGY WORLDWIDE AND IS CONFIDENTIAL. ACCORDINGLY, THIS INFORMATION IS SUBMITTED TO YOU WITH THE AGREEMENT THAT IT IS NOT TO BE REPRODUCED, COPIED, OR LOANED IN PART OR IN WHOLE, NOR IS THE INFORMATION TO BE RELAYED TO ANY OTHER INDIVIDUAL OR COMPANY EXCEPT AS MTW FIRST AUTHORIZES IN WRITING. ACCEPTANCE OF THIS DOCUMENT CONSTITUTES AGREEMENT TO THESE RESTRICTIONS.

INTERPRET DRAWING PER: ANSI Y14.5M-1994	DRAWN	DATE
DIMENSIONS ARE IN MILLIMETERS	DESIGN	DATE
THIRD ANGLE PROJECTION	STD. CHECK	DATE
DO NOT SCALE	F/F CHECK	DATE
	APPROVED	DATE


 8774 YATES DRIVE, SUITE 140
 WESTMINSTER, COLORADO 80031
 303-468-0662 / FAX 303-951-9918

AR70 Classic

SIZE	CAGE CODE	DWG. NO.	REV
B		8140320	08

SCALE 2:5 WEIGHT: 4684.64 g SHEET 1 OF 1