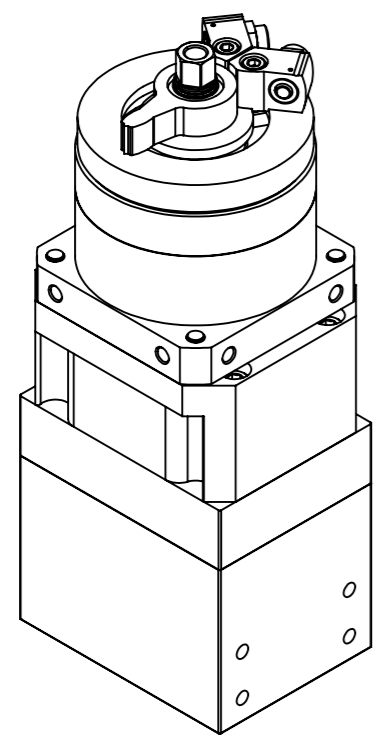
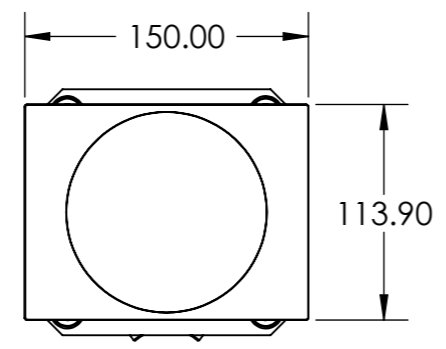
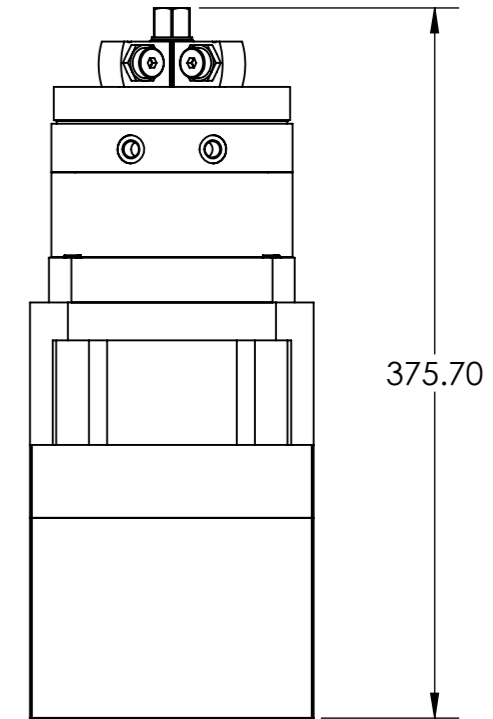
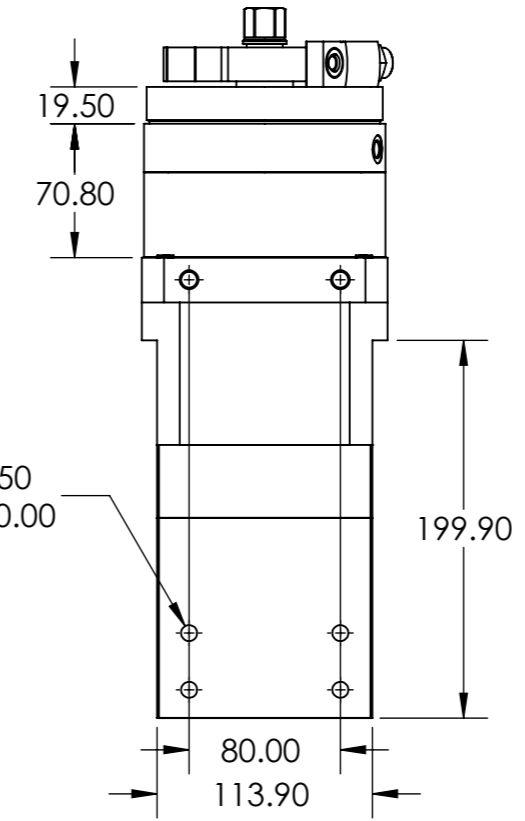
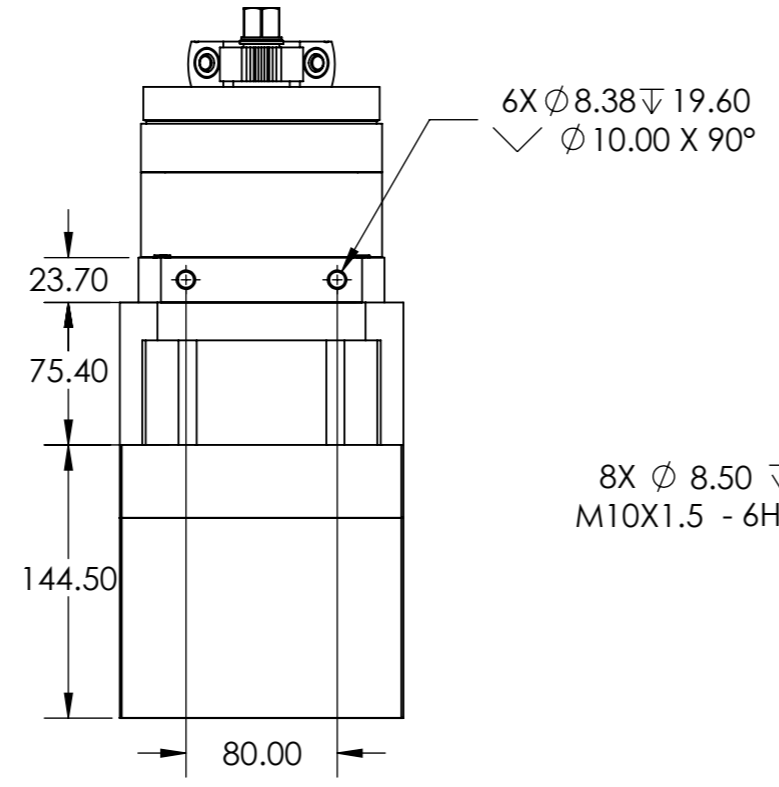
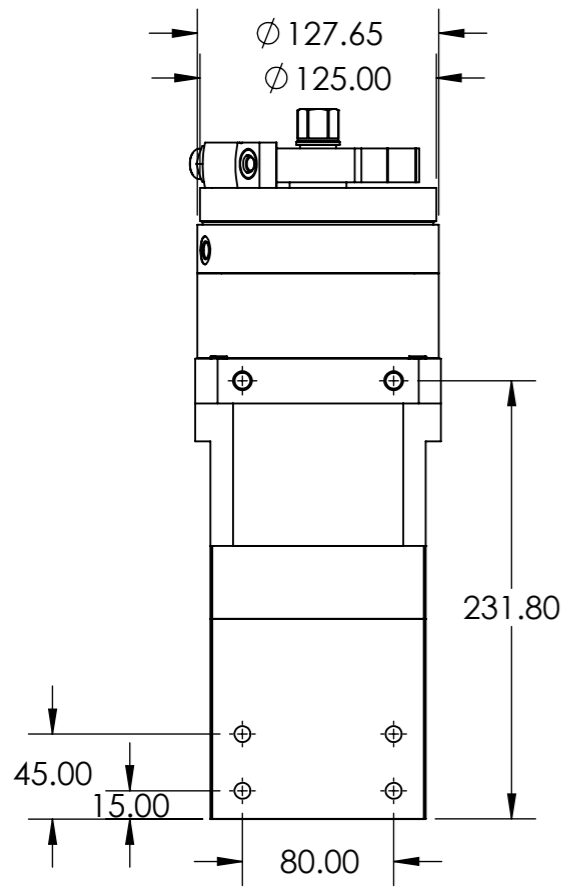
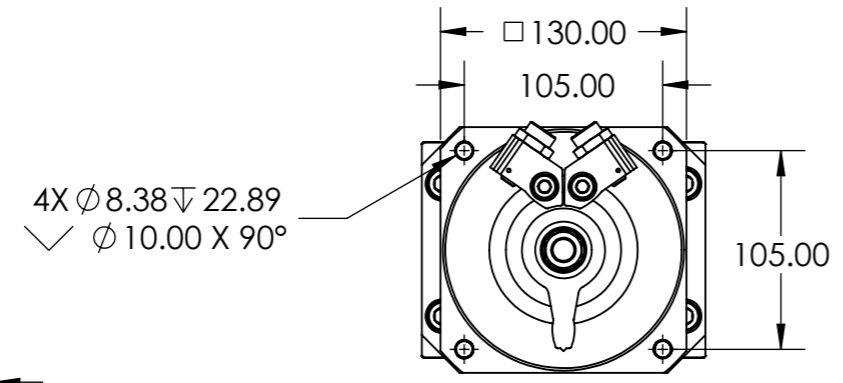


ACCESSORIES	
PART NUMBER	DESCRIPTION
8800060	AR110 Blank Pole Shoe
8800073	AR110 Combo Flat/Pipe Pole Shoe Standard
280017	Pneumatic Actuator Style F for 110mm Magswitch

Max Breakaway	3368 lbs / 1530.9 kg
Safe Working Load	890 lbs / 382.7 kg
Optimum Material Thickness	1.5" / 38.1 mm



THIS DOCUMENT, AND THE INFORMATION IT CONTAINS, INCLUDING THE PRINCIPLES OF DESIGN, IS THE EXCLUSIVE PROPERTY OF MAGSWITCH TECHNOLOGY WORLDWIDE AND IS CONFIDENTIAL. ACCORDINGLY, THIS INFORMATION IS SUBMITTED TO YOU WITH THE AGREEMENT THAT IT IS NOT TO BE REPRODUCED, COPIED, OR LOANED IN PART OR IN WHOLE, NOR IS THE INFORMATION TO BE RELAYED TO ANY OTHER INDIVIDUAL OR COMPANY EXCEPT AS MTW FIRST AUTHORIZES IN WRITING. ACCEPTANCE OF THIS DOCUMENT CONSTITUTES AGREEMENT TO THESE RESTRICTIONS.

INTERPRET DRAWING PER: ANSI Y14.5M-1994	DRAWN	DATE
DIMENSIONS ARE IN MILLIMETERS	DESIGN	DATE
THIRD ANGLE PROJECTION	STD. CHECK	DATE
DO NOT SCALE	F/F CHECK	DATE
	APPROVED	DATE

**magswitch** 8774 YATES DRIVE, SUITE 140  
WESTMINSTER, COLORADO 80031  
303-468-0662 / FAX 303-951-9918

TITLE: **AR110 HDC HT**

SIZE: **B** CAGE CODE: DWG. NO. **8140474** REV **1**

SCALE 1:4 WEIGHT: 20633.29 g SHEET 1 OF 1

N/A